



Compact "T" Style Inlet Vacuum Filters

See-Through Housings: ST Series 2"- 4" FPT

Heavy Duty Steel Housings: CT Series 2" – 6" FPT

APPLICATIONS & EQUIPMENT

- Vacuum Pumps & Systems – P.D., Side Channel, Rotary Vane, Screw, Piston
- Vacuum Packaging Equipment
- Vacuum Furnaces
- Blowers - Side Channel & P.D.
- Remote Install for Piston, Screw & Centrifugal Compressors
- Factory Automation Equip
- Ash Handling
- Pneumatic Conveying Systems
- Food Industry
- Paper Processing
- Glass, Ceramic Processing
- Waste Water Treatment
- Woodworking
- Cement
- Bag House Systems
- Envelope Manufacturing
- Medical Industry
- Chemical Processing

FEATURES & SPECIFICATIONS

- **Vacuum level:** Typically 1×10^{-3} mmHg (1.3×10^{-3} mbar)
- **Compact** design for space restrictions; min. service area
- Inlet is above the element to **Extend** element life and maintenance intervals
- Temp (continuous): min -15°F (-26°C) max 220°F (104°C)
- Filter change out differential: 10"-15" H₂O over initial delta P
- Cast aluminum top (resists corrosion) with machined connections has an **Integrated Baffle** design
- "T" style design **Minimizes** piping requirements
- 1/4" differential gauge ports standard
- Casting has 4 unthreaded tap holes for mounting bracket
- Low pressure drop and positive sealing assembly

OPTIONS (Inquiries Encouraged)

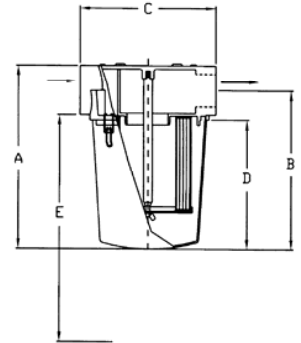
- Extreme duty configuration
- Drain Port
- Swing Bolts available for all sizes
- Activated carbon prefilters to reduce order

ST Series Style Specifications:

- See-Through drop down bucket
- Bucket made from polycarbonate material
- Complete filter assembly is resistant to electrical static build-up
- High tensile strength permits dimensional stability
- Temperature Ratings:
 - Complete Assembly max: 220°F
 - See-Through bucket max: 290°F
- Increased holding capacity

Options:

- Liquid Separator configuration (STS Series)
- Reverse Pulse system (RST Series)
- Low flow - high capacity configurations
- Extended holding capacity, select sizes



Dimension tolerance $\pm 1/4"$

I = Industrial Duty S = Severe Duty E = Extreme Duty

	with Polyester Element	with Paper Element	FPT Inlet & Outlet	DIMENSIONS - inches					Rated Flow SCFM		Approx. Wt. lbs
				A	B	C	D	E	Nominal Rating	Element Rating	
I	ST-851/1-200C	ST-850/1-200C	2"	16 1/4	14 1/4	9	12 1/2	22	175	290	15
I	ST-851/1-250C	ST-850/1-250C	2-1/2"	16 1/4	14 1/4	9	12 1/2	22	210	290	14
I	ST-235P-300C	ST-234P-300C	3"	19 3/4	17	13 1/2	14	25	300	570	29
I	ST-235P-400C	ST-234P-400C	4"	19 3/4	17	13 1/2	14	25	520	570	25

CT Series Style Specifications:

- Carbon steel black enamel drop down bucket
- Swing Bolts on 5" & 6" sizes standard

Options:

- Stainless steel coating
- Epoxy coating
- Extended bucket capacity

	with Polyester Element	with Paper Element	FPT Inlet & Outlet	DIMENSIONS - inches					Rated Flow SCFM		Approx. Wt. lbs
				A	B	C	D	E	Nominal Rating	Element Rating	
I	CT-851-200C	CT-850-200C	2"	13	10 7/8	9	9	18	175	290	16
I	CT-851-250C	CT-850-250C	2-1/2"	13	10 7/8	9	9	18	210	290	15
I	CT-235P-300C	CT-234P-300C	3"	18 7/8	16 1/8	13 1/2	13	25	300	570	30
I	CT-235P-400C	CT-234P-400C	4"	18 7/8	16 1/8	13 1/2	13	25	520	570	26
S	CT-275P-500C	CT-274P-500C	5"	18 1/4	14 3/8	19	9 7/8	20	800	1100	50
I	CT-275P-600C	CT-274P-600C	6"	18 1/4	14 3/8	19	9 7/8	20	1100	1100	45

INLET VACUUM FILTERS
CSL, ST, CT, VL, VS, LRS Series

